



# RJ45 Splitter Assembly

## CORBIN MTN

**4800bps Data Channel**

**To 3032 MUX #2  
Port #2**

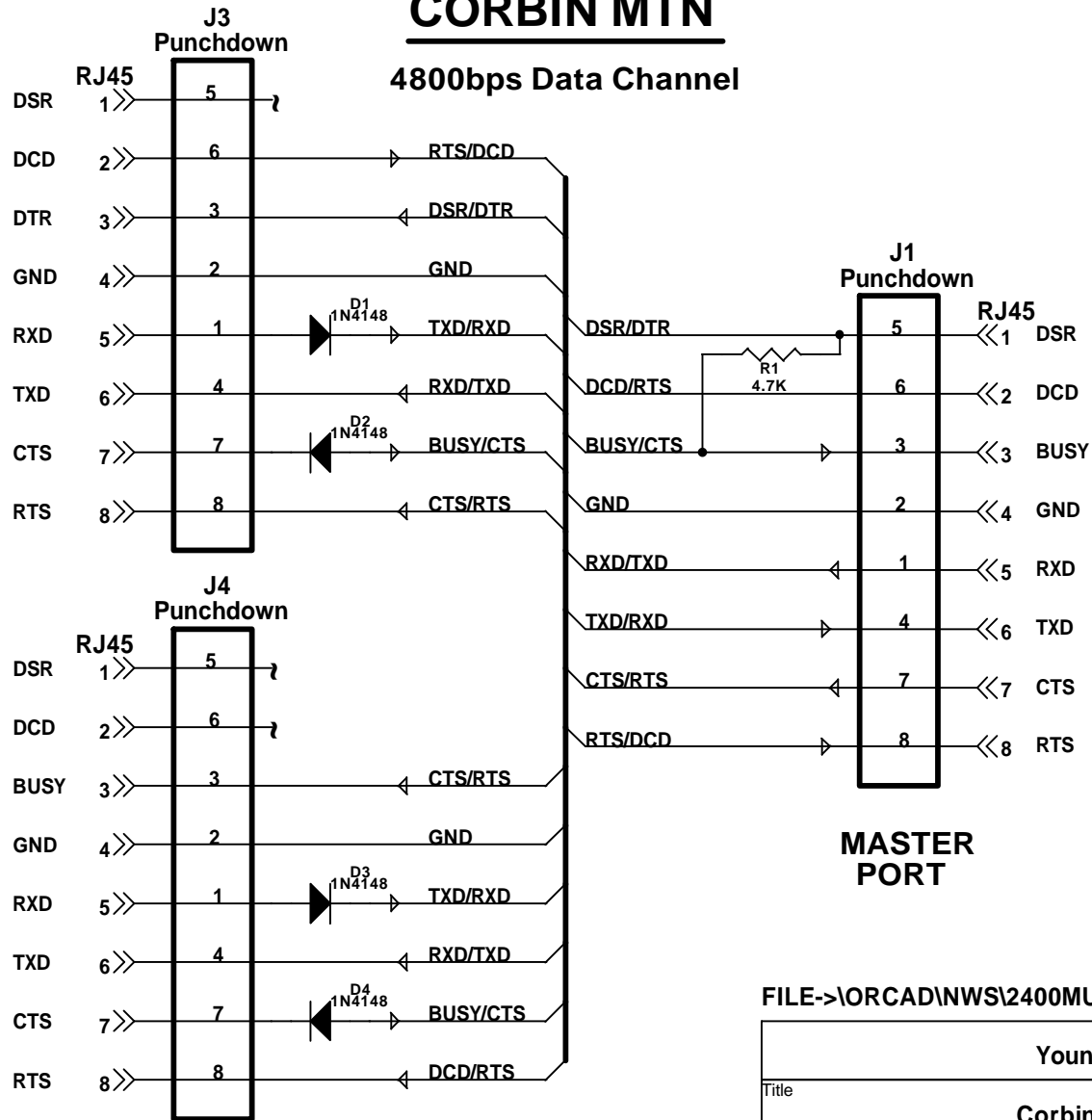
**To  
Henderson, NC**

**To SR-4 MUX #2  
Port #4**

**To  
Greer, SC**

**To SR-4 MUX #3  
Port #4**

**To  
Viking MTN**



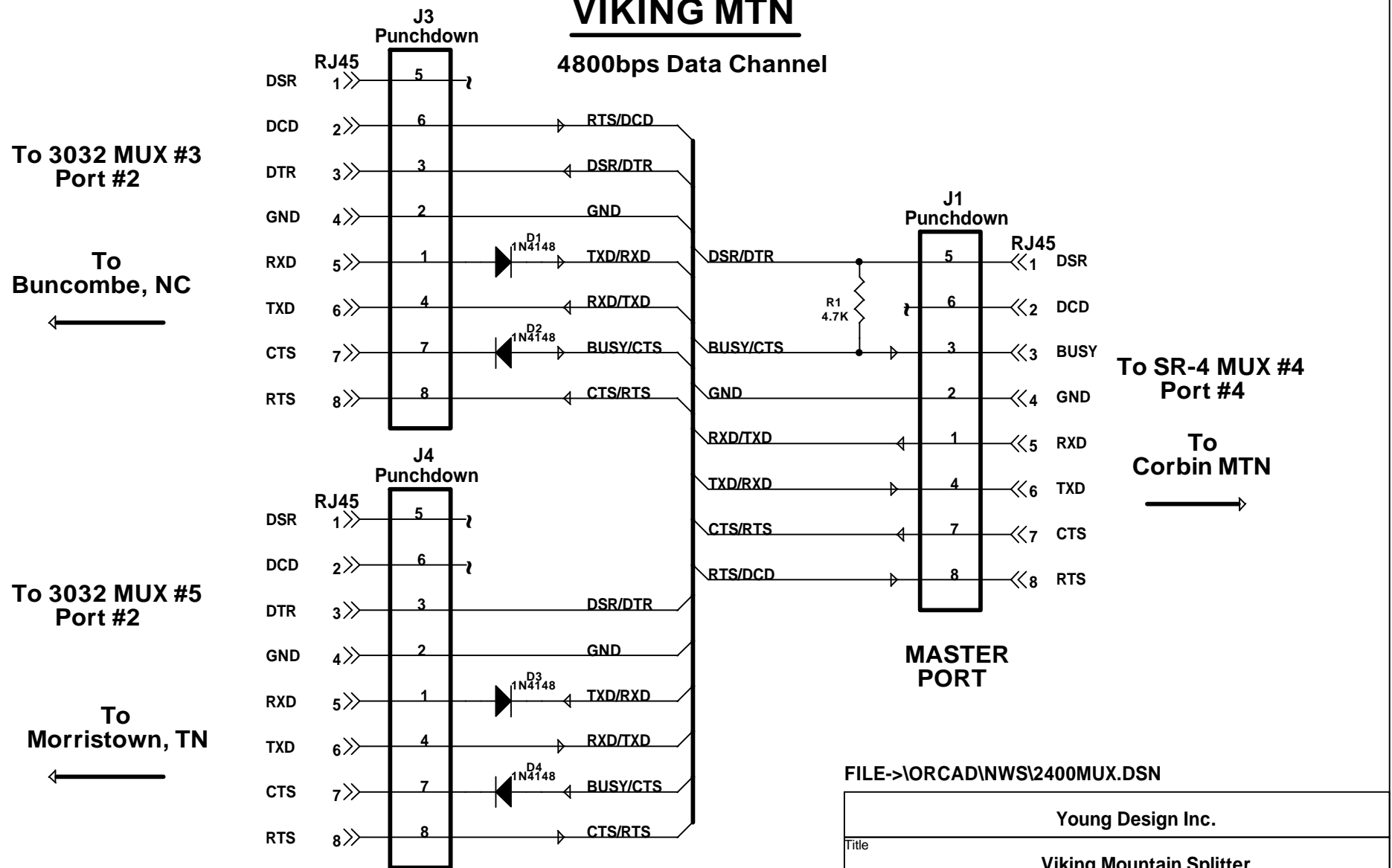
FILE->\ORCAD\NWS\2400MUX.DSN

Young Design Inc.		
Title <b>Corbin Mountain Splitter</b>		
Size <b>A</b>	Document Number <b>2400MUX.DSN/Corbin MTN Splitter</b>	Rev <b>1</b>
Date: <b>Wednesday, October 21, 1998</b> Sheet <b>1</b> of <b>1</b>		

# RJ45 Splitter Assembly

## VIKING MTN

**4800bps Data Channel**

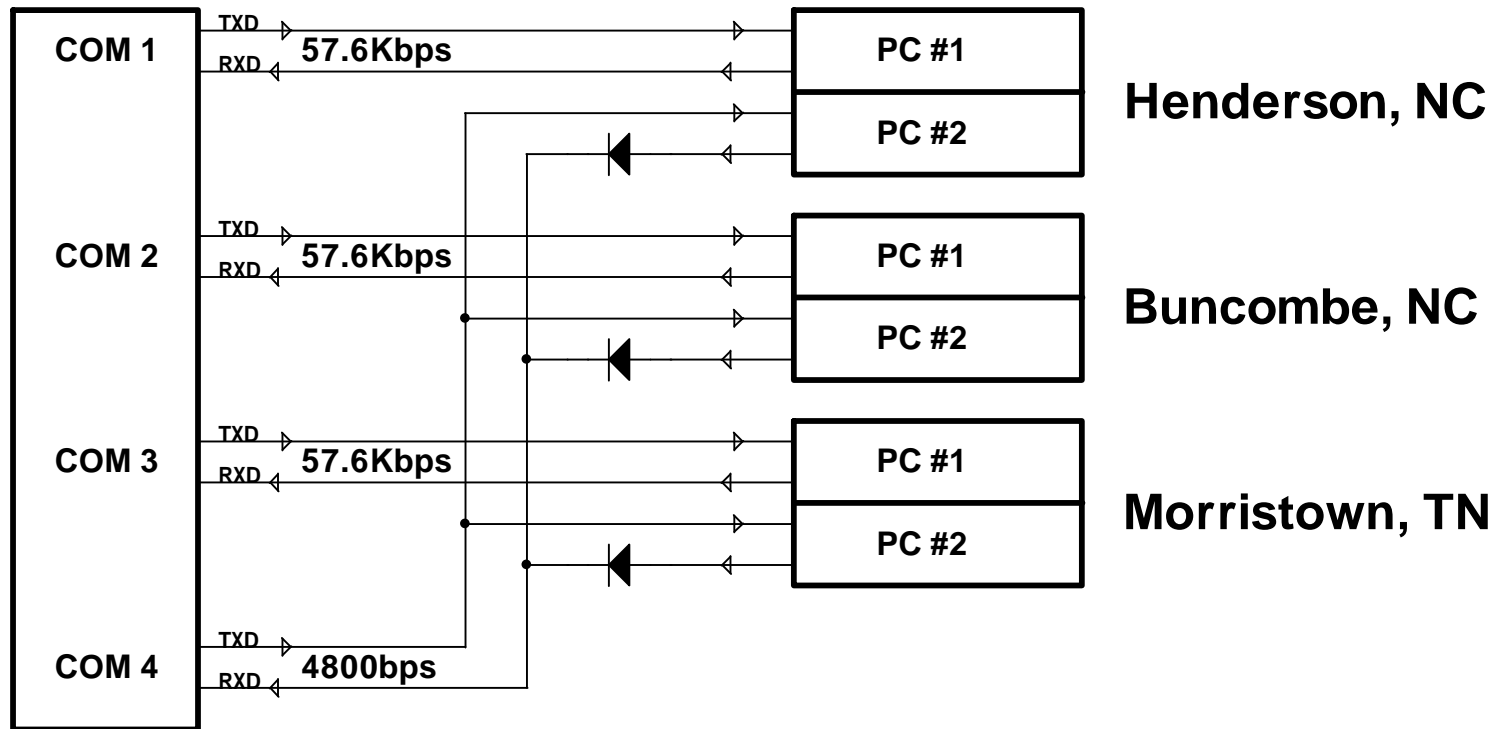


FILE->\ORCAD\NWS\2400MUX.DSN

Young Design Inc.		
Title Viking Mountain Splitter		
Size <b>A</b>	Document Number <b>2400MUX.DSN/Viking MTN Splitter</b>	Rev <b>1</b>
Date: Wednesday, October 21, 1998		
Sheet 1 of 1		

# FUNCTIONAL CONNECTIVITY BLOCK DIAGRAM

**PC at  
Greer, SC**

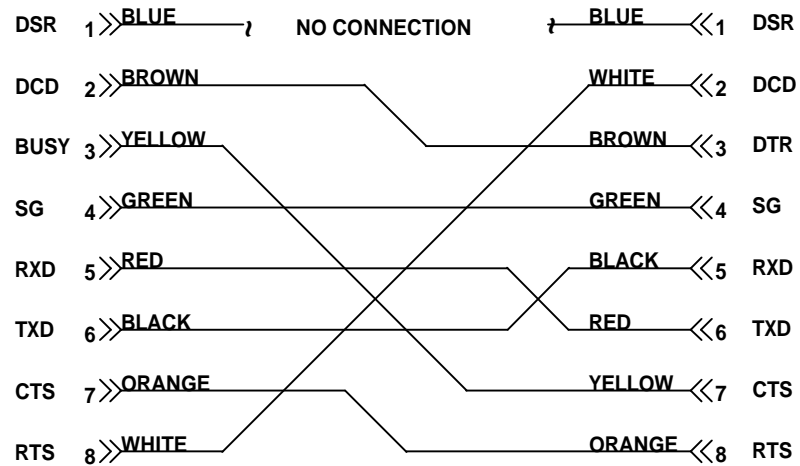


FILE->\ORCAD\NWS\2400MUX.DSN

<b>Young Design Inc.</b>		
Title <b>Functional Block Diagram</b>		
Size <b>A</b>	Document Number <b>2400MUX.DSN/Funtional Block Diagram</b>	Rev <b>1</b>
Date: <b>Tuesday, October 20, 1998</b>	Sheet <b>1</b> of <b>1</b>	

## RJ45 Crossover Cable: SR-4 to 3032 Data Ports

**TO SR-4 MUX**



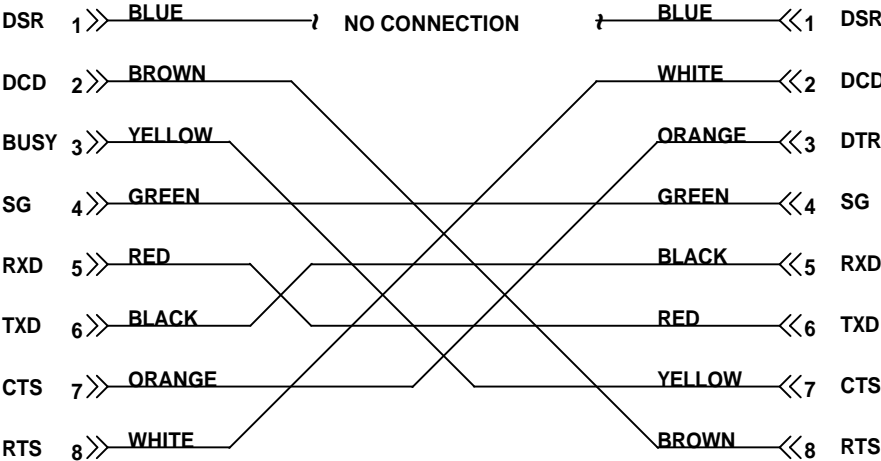
**TO 3032 MUX**

FILE->\ORCAD\NWS\2400MUX.DSN

<b>Young Design Inc.</b>		
Title <b>Crossover SR-4 to 3032</b>		
Size <b>A</b>	Document Number <b>2400MUX.DSN/Xover SR-4 to 3032</b>	Rev <b>1</b>
Date: <b>Wednesday, October 21, 1998</b> Sheet <b>1</b> of <b>1</b>		

# RJ45 Crossover Cable: SR-4 to SR-4 Data Ports

**TO SR-4 MUX**



**TO SR-4 MUX**

FILE->\ORCAD\NWS\2400MUX.DSN

<b>Young Design Inc.</b>		
Title <b>Crossover SR-4 to SR-4</b>		
Size <b>A</b>	Document Number <b>2400MUX.DSN/RJ45 Xover SR-4 to SR-4</b>	Rev <b>1</b>
Date: <b>Wednesday, October 21, 1998</b> Sheet <b>1</b> of <b>1</b>		