

## NORTH CAROLINA/TENNESSEE DATA COLLECTION

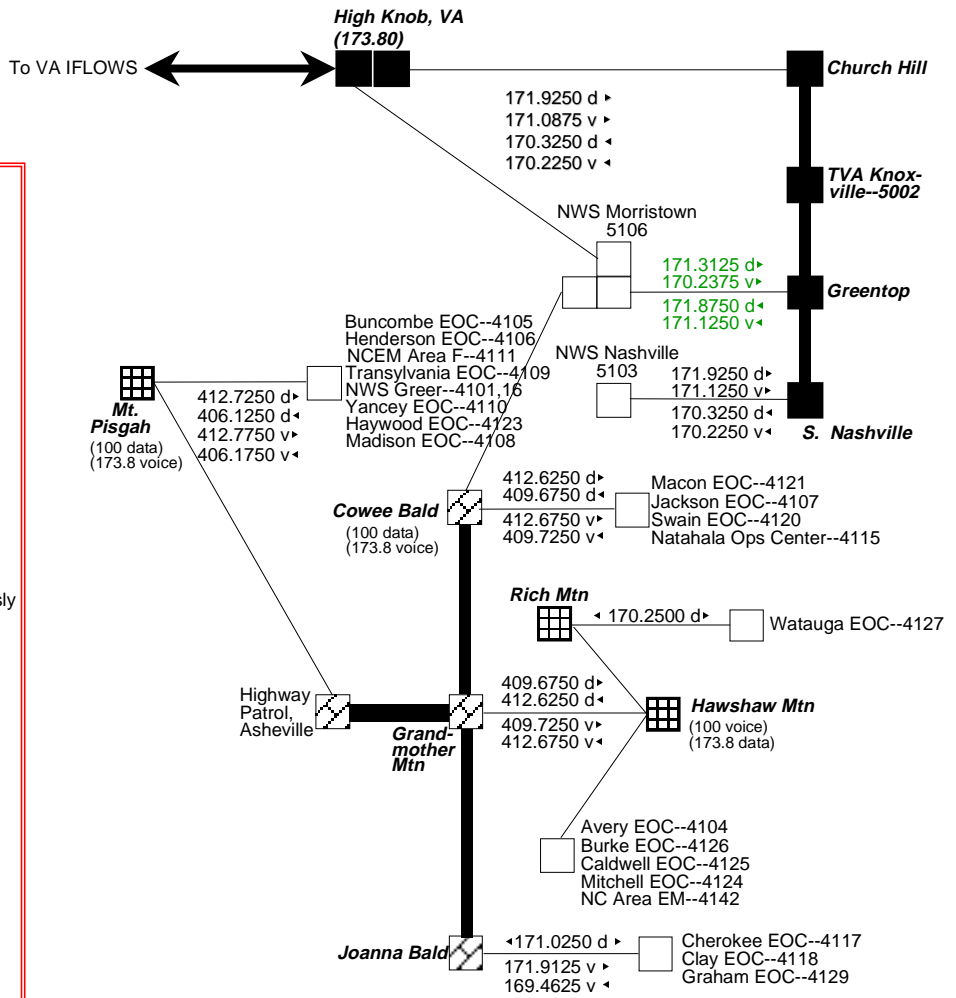
\*\*All North Carolina base stations listen at 169.5000 MHz

### NORTH CAROLINA and TENNESSEE IFLOWS RADIO NETWORKS

- Radio
- Microwave
- Rain/stream sensors
- ▲ Sensor repeater
- ▲ Sensor repeater constantly keyed
- Data transmitter keyed continuously
- Transmitter keyed locally by computer
- ▣ Transmitter keyed by carrier detect of incoming signal
- ▤ Transmitter keyed remotely via microwave (E&M)
- ▥ Receiver

**Note:** Numbers shown in parentheses are the subaudible tone encoded squelch frequencies in Hz for voice receivers. Site ID numbers follow site name.

Black -- equipment installed and operational  
 Green -- equipment installed; requires setup and adjustment  
 Blue -- equipment to be installed



Last revised on 09/25/98

## NORTH CAROLINA AND TENNESSEE IFLOWS BACKBONE NETWORK